

**Distributed I/O device in 6 DIN module box
4 input channels for mA, 4 input channels for Volt communicating over RS-485**

DAT 10015

FEATURES

- Modbus Server device on RS-485
- Modbus RTU/ Modbus ASCII protocol
- 4 input channels dedicated to ± 10 Volt
- 4 input channels dedicated to ± 20 mA
- Communication parameters configurable by dip-switches
- Watch-Dog Alarm
- Remotely Configurable
- 1500 Vac 3-ways Galvanic Isolation
- LEDs of signalling on front side for power supply and communication
- Connection by removable screw terminals
- High Accuracy
- CE/UKCA mark
- DIN rail mounting in compliance with EN-50022



GENERAL DESCRIPTION

The device DAT10015 converts up to 8 analogue input signals into engineering units in digital format. The data are transmitted with MODBUS RTU / MODBUS ASCII protocol over the RS-485 network.

It is possible to connect on input 4 voltage signals up to ± 10 V and 4 current signals up to ± 20 mA. By programming, it is possible to execute the scaling of the measure of input up to ± 32768 points obtaining in the dedicated registers the measure of the channel in the desired format (ref. User Guide).

The device guarantees high accuracy and stable measure versus time and temperature.

To ensure the plant safety, a Watch-Dog timer alarm is provided.

The isolation between the parts of circuit removes eventual ground-loop effects, allowing the use of the device even in the heavy environmental conditions.

The device is housed in a 6 module DIN rough self-extinguishing plastic box for mounting on EN-50022 standard DIN rail.

USER INSTRUCTIONS

Before to install the device, please read the "Installation Instruction" section.

It is possible to configure the device in two modes: by the dip-switches located on the front of the device or via software using the INIT modality.

Connect the terminal INIT to the terminal REF; at the power-on the device will be automatically set in the configuration set-up (refer to the User Guide of the device).

Connect power supply, serial bus and analogue inputs as shown in the "Wiring" section.

The LEDs state depends on the working condition of the device: see the "Light Signalling" section to verify the device working state.

To perform configuration and calibration operations, read the instructions in the User Guide of the device.

To simplify handling or replacing of the device, it is possible to remove the wired terminals even with the device powered.

TECHNICAL SPECIFICATIONS (Typical @ 25 °C and in the nominal conditions)

INPUT			OUTPUT	GENERAL SPECIFICATIONS	
Input Type	Min	Max	Data Transmission		
Current 20 mA	-20 mA	+20 mA	RS-485 asynchronous serial Baud Rate 115.2 Kbps Max. distance 1.2 Km – 4000 ft	Power supply voltage	10 .. 30 Vdc
Voltage 10 Volt	-10 V	+10 V		Reverse polarity protection	60 Vdc max
Input Accuracy (1) Current ± 20 uA Voltage ± 10 mV				Current consumption @ 24 Vdc	35 mA max.
Linearity (1) Current, Voltage ± 0.1 % f.s.				Max. Current consumption	45 mA
Input impedance Current $\leq 50 \Omega$ Voltage $\geq 1 M\Omega$				ISOLATION Among all the ways 1500 Vac, 50 Hz, 1 min	
Thermal drift (1) Full scale ± 0.01 % / °C				ENVIRONMENTAL CONDITIONS Operative temperature -10°C .. +60°C Storage temperature -40°C .. +85°C Humidity (not condensing) 0 .. 90 % Maximum Altitude 2000 m slm Installation Indoor Category of Installation II Pollution Degree 2	
Sample time 0.5 \div 1 sec.				MECHANICAL SPECIFICATIONS Material Self-extinguish plastic IP Code IP20 Wiring wires with diameter 0.8+2.1 mm ² AWG 14-18 Tightening Torque 0.8 N m Mounting in compliance with DIN rail standard EN-50022 Weight about 200 g.	
				CERTIFICATIONS EMC (for the Industrial Environments) Immunity EN 61000-6-2 Emission EN 61000-6-4 UKCA (ref S.I. 2016 N°1091) Immunity BS EN 61000-6-2 Emission BS EN 61000-6-4	

(1) referred to the input Span (difference between max. and min.)

INSTALLATION INSTRUCTIONS

The device is suitable for fitting to DIN rails in the vertical position. For optimum operation and long life follow these instructions:

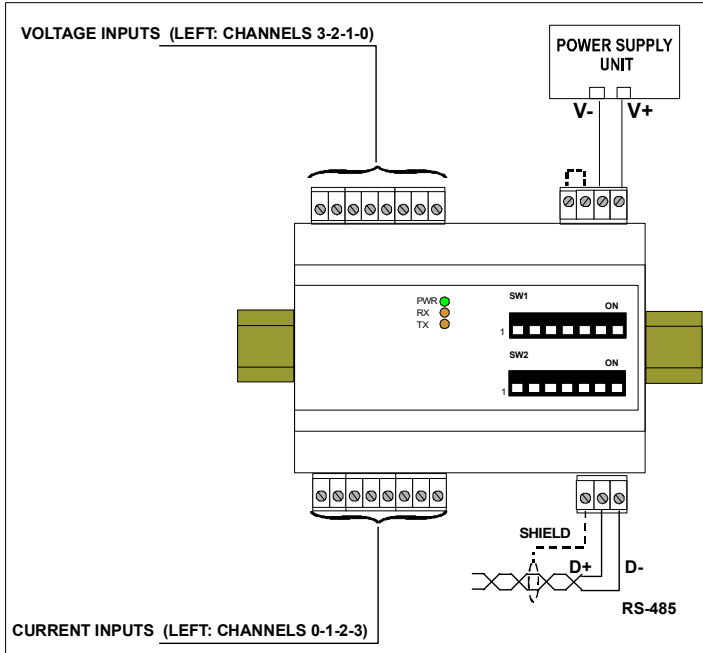
When the devices are installed side by side it may be necessary to separate them by at least 5 mm in the following case:
- If panel temperature exceeds 45°C and power supply voltage 10 Vdc.

Make sure that sufficient air flow is provided for the device avoiding to place raceways or other objects which could obstruct the ventilation slits. Moreover it is suggested to avoid that devices are mounted above appliances generating heat; their ideal place should be in the lower part of the panel.

Install the device in a place without vibrations.

Moreover it is suggested to avoid routing conductors near power signal cables (motors, induction ovens, inverters etc...) and to use shielded cable for connecting signals.

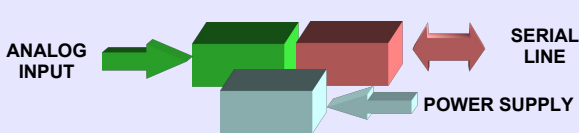
TERMINALS OVERVIEW



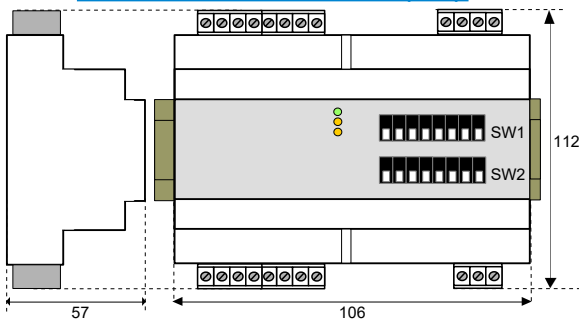
LIGHT SIGNALLING

LED	COLOUR	STATE	DESCRIPTION
PWR	GREEN	ON	Device powered
		OFF	Device not powered
		BLINK	~1 sec. - Watch-Dog alarm condition occurred
RX	ORANGE	BLINK	Stream of data over receiving line of RS-485
		OFF	No data over receiving line of RS-485
TX	ORANGE	BLINK	Stream of data over transmission line of RS-485
		OFF	No data over transmission line of RS-485

ISOLATION STRUCTURE



MECHANICAL DIMENSIONS (mm)

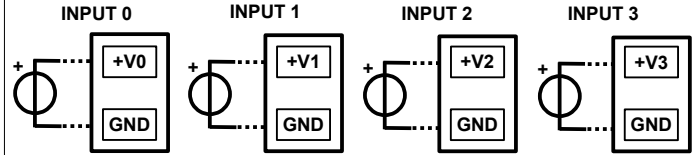


The symbol reported on the product indicates that the product itself must not be considered as a domestic waste. It must be brought to the authorized recycle plant for the recycling of electrical and electronic waste. For more information contact the proper office in the user's city, the service for the waste treatment or the supplier from which the product has been purchased.

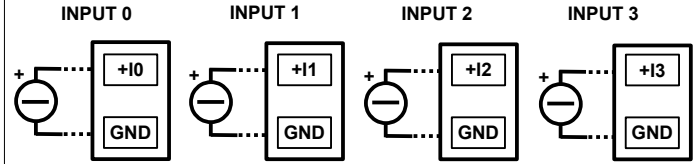
WIRING

ANALOGUE INPUTS

VOLTAGE



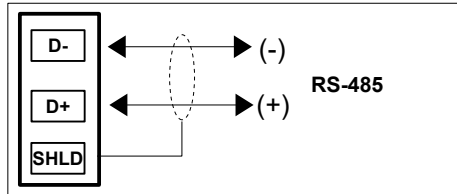
CURRENT (Passive inputs: to connect to active current loops)



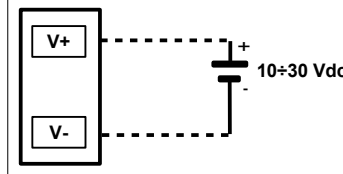
NOTE:

the input channels are not isolated between them (terminal GND is common)

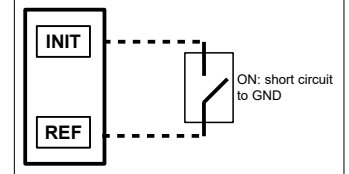
SERIAL LINE RS-485



POWER SUPPLY



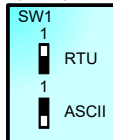
INIT



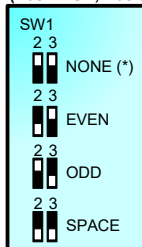
DIP-SWITCHES : TABLES OF CONFIGURATION

Warning: set all the dip-switches in OFF position to access to the device in EEPROM modality (the device will follow all the communication parameters set by software) or INIT. Power-off the device before to change the set of the dip-switches.

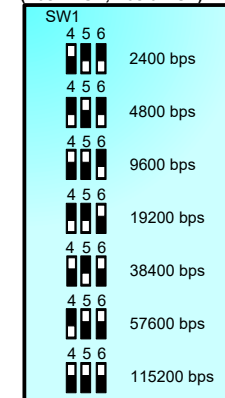
TAB.1 Modality settings (Pos.1)



TAB.2 Parity settings (Pos.2 LSB; Pos.3 MSB)



TAB.3 Baud rate settings (Pos.4 LSB; Pos.6 MSB)



Note (*):

- in Modbus RTU Modality the setting is NONE; number of bit = 8
- in Modbus ASCII Modality the setting is MARK; number of bit = 7

DIP POSITION

ON OFF

HOW TO ORDER

DAT 10015

